

TURBO RGB Crystal Sparkle Cabochon

Key Features



Cabochon
Lens



Available in
12v or 24v



Epoxy Sealed
Electronics



360° Sparkle
Housing



Base with 2
Mounting Holes



Full-Color
RGB pixels



Dust and
Waterproof



24 Month
Warranty



RoHS Certified and Built
to CE, UL, ETL Standards

Many Applications

- Special Effects
- Light Shows
- Signage
- Trade Shows
- Retail Interiors
- Concerts and Events
- Decorative Elements
- Architectural Accents
- High Brightness Video Installations
- Carnivals

Further Reading

Visit us online for the most up-to-date product information:

www.VividRGBLighting.com



Presenting TURBO

Vivid RGB lighting is excited to present **TURBO**. From carnival games and amusement park rides to Broadway and tours, the **TURBO** is designed to meet a wide variety of lighting needs.

Keeping with the classic carnival-style, **TURBO** is designed using an ornate polycarbonate cabochon lens to create a characteristic visual experience. Our color-changing LED technology makes what used to be a simple single color lamp transform into a lamp that can change into over 16 million different colors. Available in RGB & RGBW for that extra bright sparkle.

TURBO is available in two voltages. The 12-volt typical configuration is (3) RGB LEDs and (1) White LED, the 24-volt has (6) RGB LEDs, and (3) White typically.

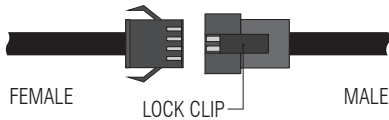
No longer will you have to rely on a limited amount of single-color housings. The **TURBO** is an elegant addition to any lighting experience.



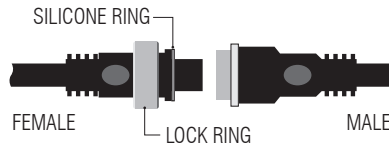
TURBO RGB Crystal Sparkle Cabochon

Connector Options

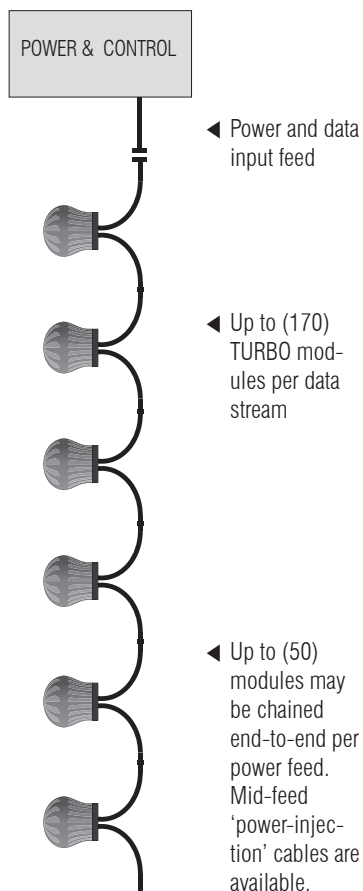
4-pin keyed connector with latch for enclosed applications. Weather rated connector options available.



4-PIN (12v) or 6-PIN (24v) keyed aviation-style connector with weathertight lock ring.



System Overview



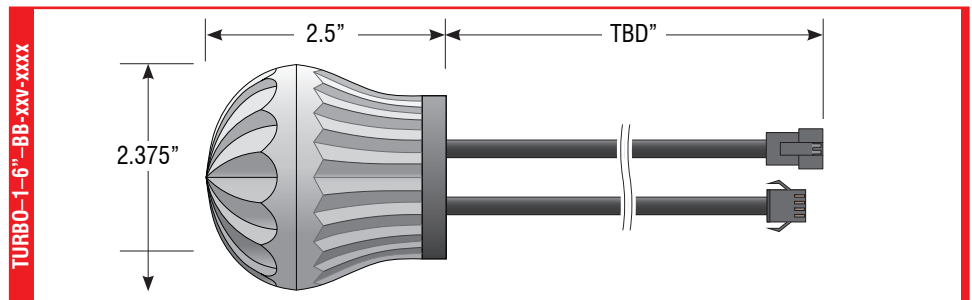
Configuration Part Order No. TURBO-1-6"-BB-XXv-XXXX

Each module consists of a textured transparent globe with RGB or RGB+W LEDs, two black cables with integrated power and control with both male and female connectors on either end.

Options are: 12 volt with (3) RGB LEDs & (1) WHITE LED or just RGB, no white
24 volt with (6) RGB LEDs & (3) WHITE LEDs or just RGB, no white

Each module is sealed for maximum fixture life and IP66 rated for outdoor applications, depending on the connector selection.

Turbo is not stocked in a specific configuration or high quantities.



Technical Specifications*

OUTPUT	LUMEN MAINTENANCE	50,000+ hours
	LED CHANNELS	Red, Green, Blue OR Red, Green, Blue & White
	GRAYSACLE	256, 8-bit
ELECTRICAL	INPUT VOLTAGE	12Vdc or 24Vdc
	POWER	1.00w or 1.85w Module
CONTROL	INTERFACE	"2-Wire" DMX512
	CONTROL SYSTEM	Full range of drivers available, or third-party DMX controller with external power supply
PHYSICAL	TEMPERATURE RANGES	-20°C – 50°C / -4°F – 122°F
	HUMIDITY	Any
SAFETY	ENVIRONMENT	Dry & damp, water resistant; IP66

*Due to continuous improvements and design innovations, specifications subject to change without notice.

Build-to-Order Configurations

Minimum Order Quantity: 100 pixels per configuration
Production Lead Time: 8 weeks after receipt of order

Custom options:

- RGBWW (warm white) & RGBCW (cool white)
- Cable length and spacing
- Black or white circuit board, housings, and/or wire colors
- Weather proof connectors
- Other options upon request, call for more information



Typical Wiring Instructions

Input cables connect to driver and power supply providing a common ground between them.

Extension cables extend distances between components.

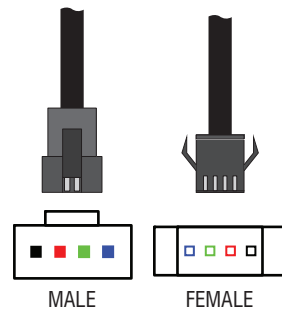
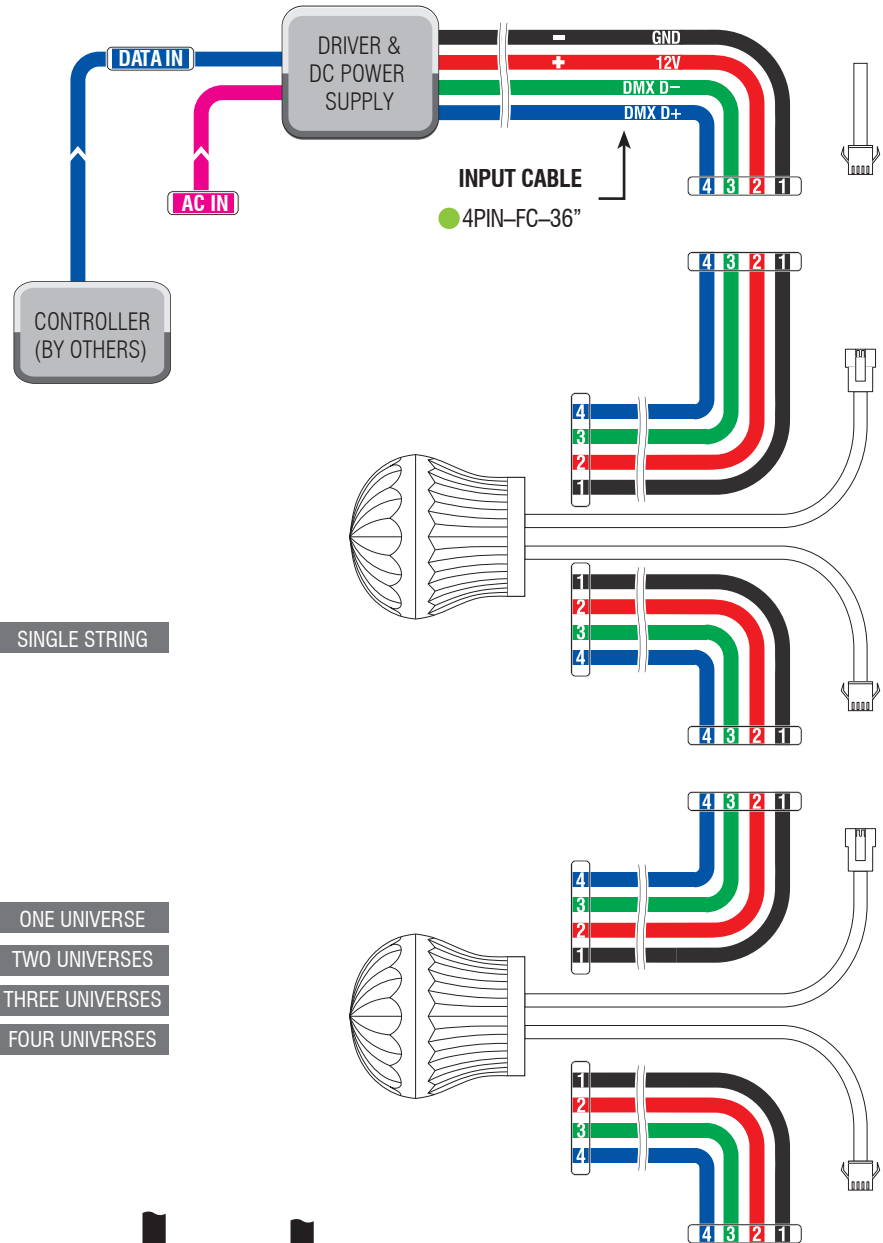
Turbo Module Power

- Use total watts to determine necessary power supply capacity.
- Maximum power draw
 - 1.00w per pixel for 12Vdc
 - 1.85w per pixel for 24Vdc

MODULES	AMPS @ 24V	TOTAL WATTS	
1	.075 A	1.80 W	← SINGLE STRING
10	.75 A	18 W	
25	1.875 A	45 W	
50	3.75 A	90 W	
75	5.625 A	135 W	
100	7.50 A	180 W	
150	11.25 A	270 W	
170	12.75 A	306 W	← ONE UNIVERSE
340	25.5 A	612 W	← TWO UNIVERSES
510	38.25 A	918 W	← THREE UNIVERSES
680	51 A	1224 W	← FOUR UNIVERSES

NOTES
 Figures in this chart are for 24volt TURBO at full brightness on all 4 channels.

IMPORTANT
 Keep the power supply as close as possible to the strings to minimize voltage drop. Excessive voltage drop will cause color shift and/or intermittent operation.



Connector Pinout:

- Pin 1: GND / Black
- Pin 2: V+ / Red
- Pin 3: DMX Data- / Green
- Pin 4: DMX Data+ / Blue



Installation Guide

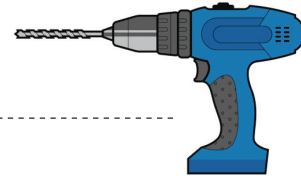
Step 1: Layout and Mark

Decide on your pattern, or follow your own specifications.



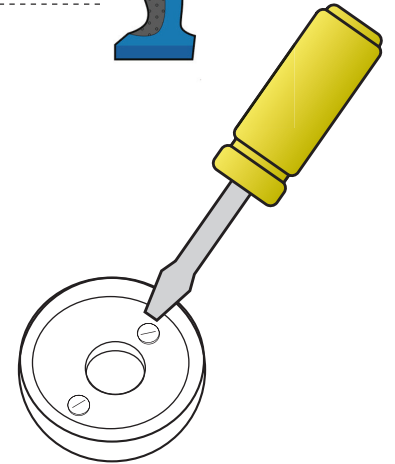
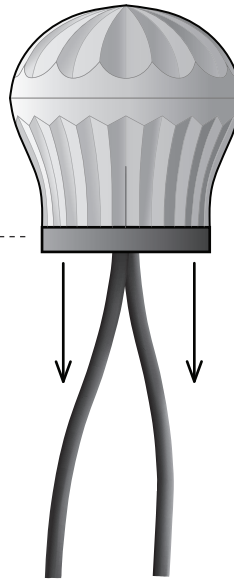
Step 2: Drill Holes

Drill a 3/4" hole in your material where the center of your **TURBO** will mount.



Step 3: Remove Mounting Ring

The mounting ring comes shipped connected to the **TURBO**. Simply use your fingers to unsnap the mounting ring from fixture and remove.

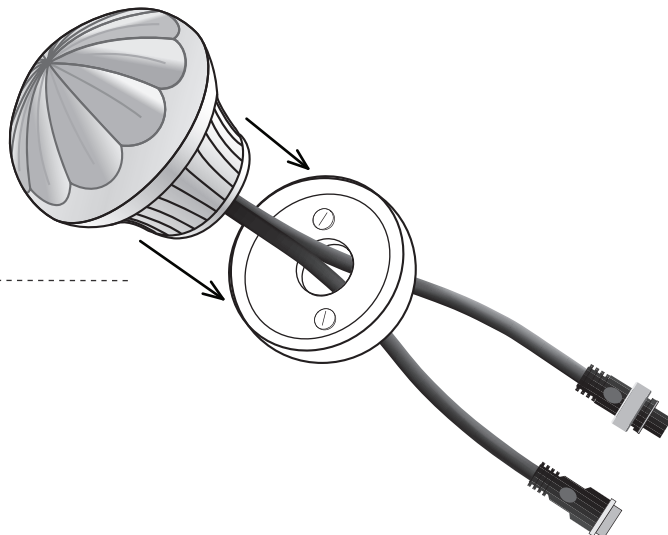


Step 4: Install Mounting Ring

Using screws provided, center mounting ring over your hole and screw to attach mounting ring.

NOTE

Be careful not to overtighten or distort plastic mounting ring, make sure screws sit as flat as possible.



Step 5: Snap Fixture In Place

Carefully feed wires through center of mounting ring and connect to your next fixture. It's simple!

