

## TUBO Rigid RGB Pixel Tube

### Key Features



Double Sided  
Lighting



Translucent  
Polycarbonate Tube



Encased  
Electronics



Thin  
Housing



Full-color  
RGB pixels



Dust and  
Waterproof



24 Month  
Warranty



RoHS Certified and Built  
to CE, UL, ETL Standards



### Introducing Tubo

**TUBO** is a sleek performer, featuring full 360° visibility of 16 double-sided individually addressable RGB pixels. Our standard meter length has 32 surface mounted LEDs packed into each crystal clear tube. **TUBO** is ready to rocket colors across your next project. Hang them in formation for an instant double-sided screen or randomly for dynamic full color effects. Mount them at any angle and in any pattern to create completely new displays.

Fortified against the elements, **TUBO** is set to sparkle indoors or out and at less than 3/4" in diameter, it virtually disappears. Also available in .5 meter and 1.5 meter lengths.

**More than just pretty pole, Tubo is ready to add sparkle to your next event!**



### Many Applications

- Theater and Concert Stage Elements
- Trade Shows
- Interior and Exterior Architecture
- Themed Environments
- Nightclubs
- Museums and Art Installations
- TV Production
- Holiday Light Shows
- Dynamic Icicle Lighting

### Further Reading

Visit us online for the most up-to-date product information:

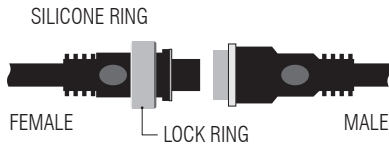
[www.VividRGBLighting.com](http://www.VividRGBLighting.com)



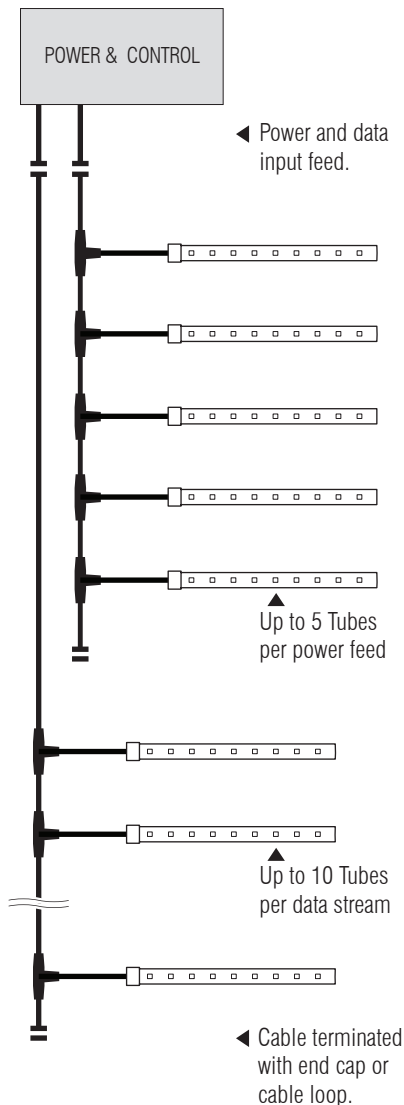
## TUBO Rigid RGB Pixel Tube

### Connectors

4-PIN keyed aviation-style connector with weathertight lock ring.



### System Overview

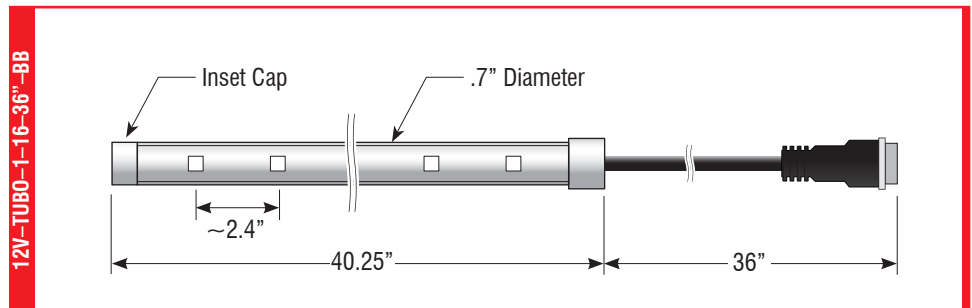


### Standard Configuration Part Order No. TUBO-1-16-36"-BB

Each module consists of a .7" diameter tube, 40.25" long with 16 pairs of RGB LEDs. A 36" black cable with integrated power and control terminated with a 4-pin connector.

Use with T-Connector cables.

Crystal clear polycarbonate housing, sealed for maximum fixture life and IP66 rated for



### Technical Specifications\*

OUTPUT	LUMEN MAINTENANCE	50,000+ hours
	LED CHANNELS	Red, Green, & Blue
	GRAYSCALE	256, 8-bit
ELECTRICAL	INPUT VOLTAGE	12V DC
	POWER	8.00W / Tube
CONTROL	INTERFACE	1-Wire DMX512 - 170 Pixels
	CONTROL SYSTEM	VPD, Color Mimic, or compatible third-party DMX controller
	PHYSICAL	TEMPERATURE RANGES
SAFETY	HUMIDITY	Any
	ENVIRONMENT	Dry, damp, wet locations; IP66

\*Due to continuous improvements and design innovations, specifications subject to change without notice.

### Build-to-Order Configurations

Minimum Order Quantity: 20 tubes per configuration  
Production Lead Time: 8 weeks after receipt of order

Custom options:

- Tube length 1/2m, 1m, 1.5m
- Pixel spacing / density
- Cable length
- Cable color—black, white, and clear.
- Other options upon request, call for more information.



## TUBO Rigid RGB Pixel Tube

### Typical Wiring Instructions

Input cables connect to controller & power supply and provide a common ground between them.

Extension cables extend distances between components.

End caps provide a waterproof termination at the end of each string.

### TUBO String Power

Use total watts to determine necessary power supply capacity.

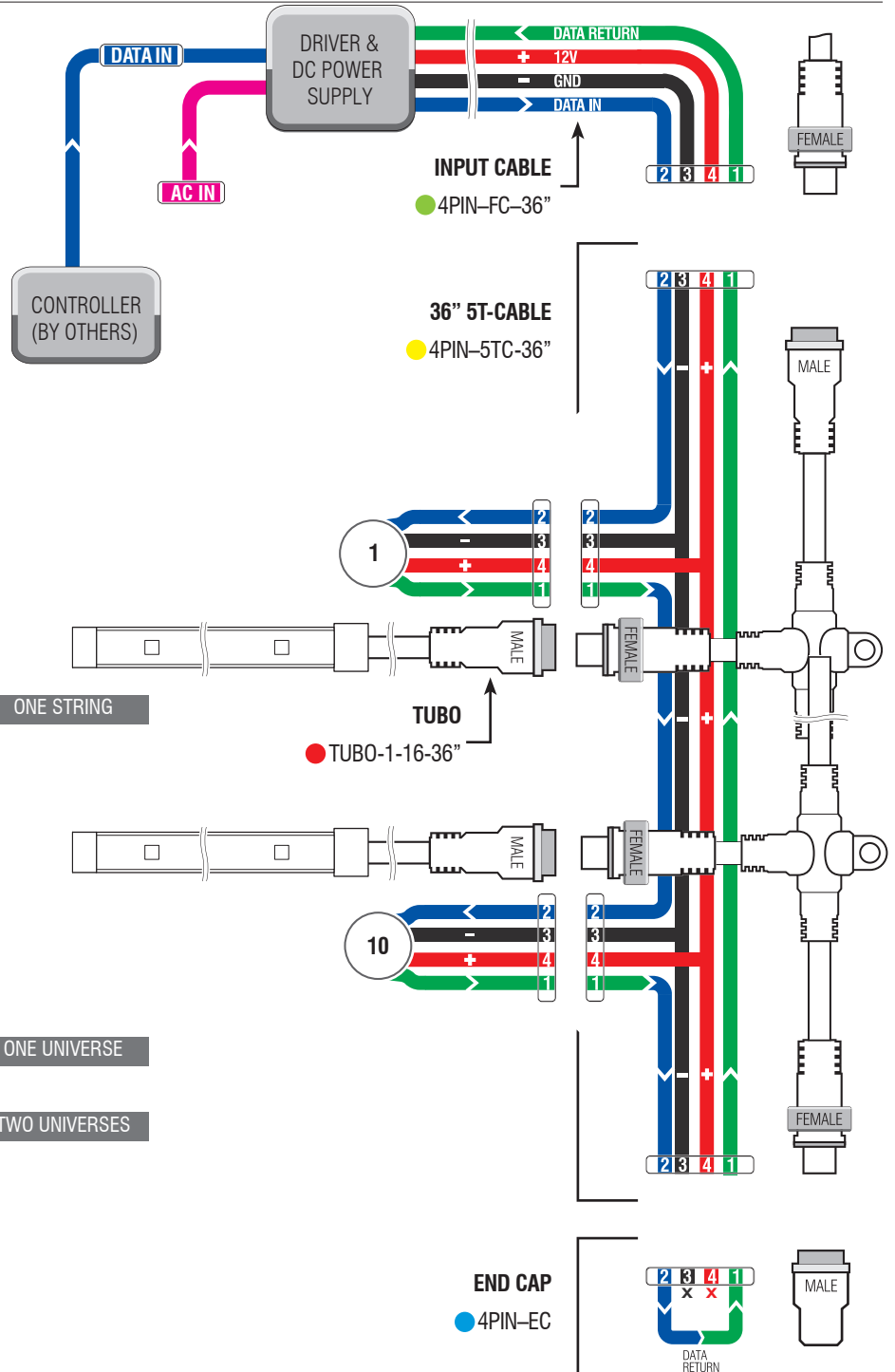
Maximum power draw is 9.50 W per TUBO at 12 V DC.

TUBOS	AMPS @ 12V	TOTAL WATTS
1	.800 A	9.50 W
2	1.60 A	19.00 W
3	2.40 A	28.50 W
4	3.20 A	38.00 W
5	4.00 A	47.50 W
6	4.80 A	57.00 W
7	5.60 A	66.50 W
8	6.40 A	76.00 W
9	7.20 A	85.50 W
10	8.00 A	95.00 W
ONE UNIVERSE		
20	16.00 A	160.00 W
TWO UNIVERSES		

**NOTES**  
 Figures in this chart allow for 5% headroom.  
 Typical per-tube wattage is 8.50 W.

**IMPORTANT**  
 Keep the power supply as close as possible to the strings to minimize voltage drop. Excessive voltage drop will cause color shift and/or intermittent operation.

Due to continuous improvements and design innovations, specifications subject to change without notice.



## TUBO Rigid RGB Pixel Tube

### System Accessories & Part Numbers

#### System Input Cable

Bare ends connect to controller and power, female end connects to strings.

Stock:

**4PIN-FC-36"**

\*Custom lengths available.

#### NOTE

Numbers refer to labeled pins in connectors.

#### System Output Cable

Male end connects to end of strings, bare ends provide data and power output from system.

Stock:

**4PIN-MC-36"**

\*Custom lengths available.

#### Extension Cables

Through extension of all pins

Stock:

**4PIN-EXT-60"** (20awg - 5 feet)

**4PIN-EXT-120"** (20awg - 10 feet)

**4PIN-EXT-300"** (20awg - 25 feet)

**4PIN-EXT-120"-3W** (18awg - 10 feet)

**4PIN-EXT-300"-3W** (18awg - 25 feet)

**4PIN-EXT-600"-3W** (18awg - 50 feet)

\*Custom lengths available.

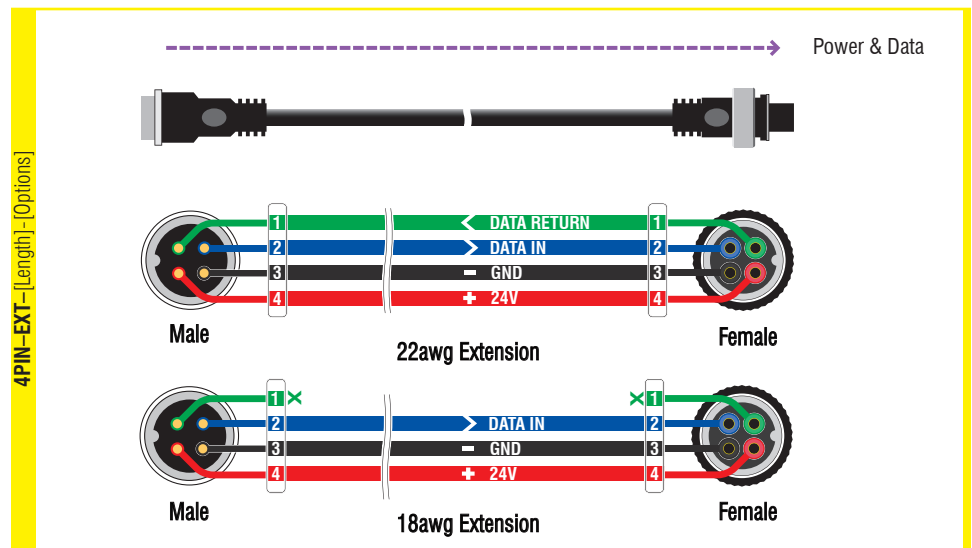
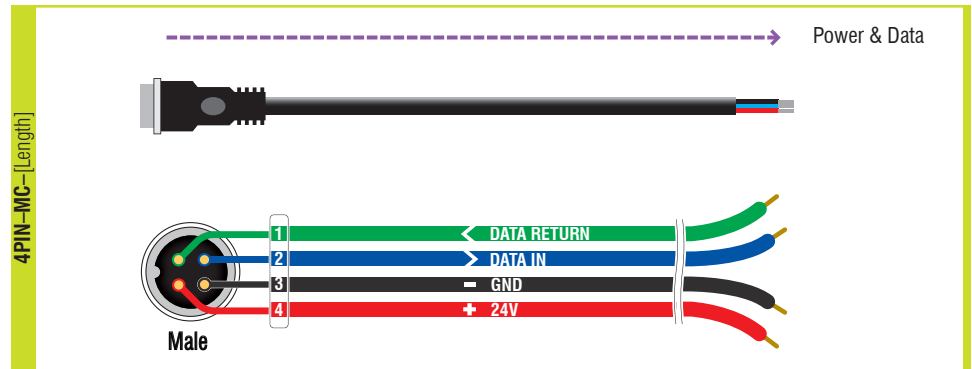
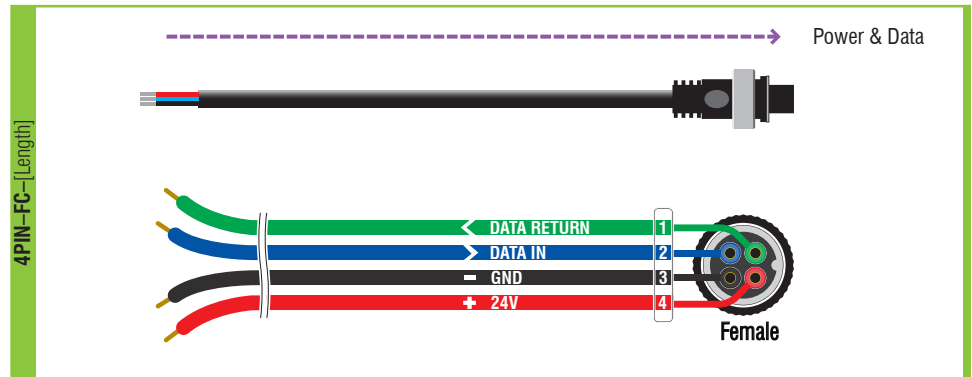
#### NOTE

18awg extension cables do not return data.

#### \*Custom / Build-to-Order

All cables and accessories may be custom designed for your project.

Vivid RGB Lighting's **12-Volt** products use our **4-PIN** accessory cables and products. Please contact customer support with product compatibility concerns.



## TUBO Rigid RGB Pixel Tube

### End Caps

Seals cable end with a water tight termination and returns data stream to beginning of string.

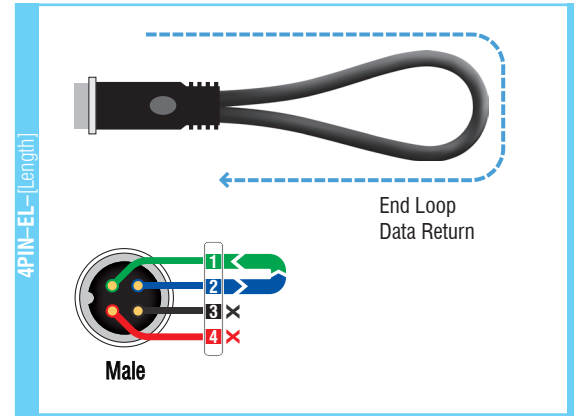
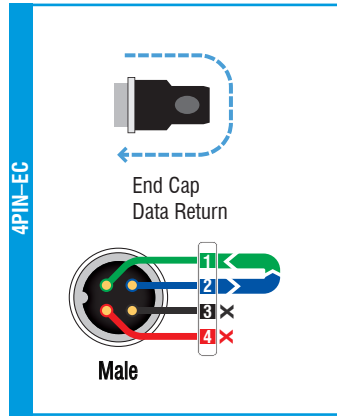
Available in simple cap or cable loop for easy hanging.

Stock:

4PIN-EC

4PIN-EL-5"

\*Custom lengths available.



### Mid-Feed Power Input

Allows for power to be input between strings on same data stream.

Stock:

4PIN-MF-9"

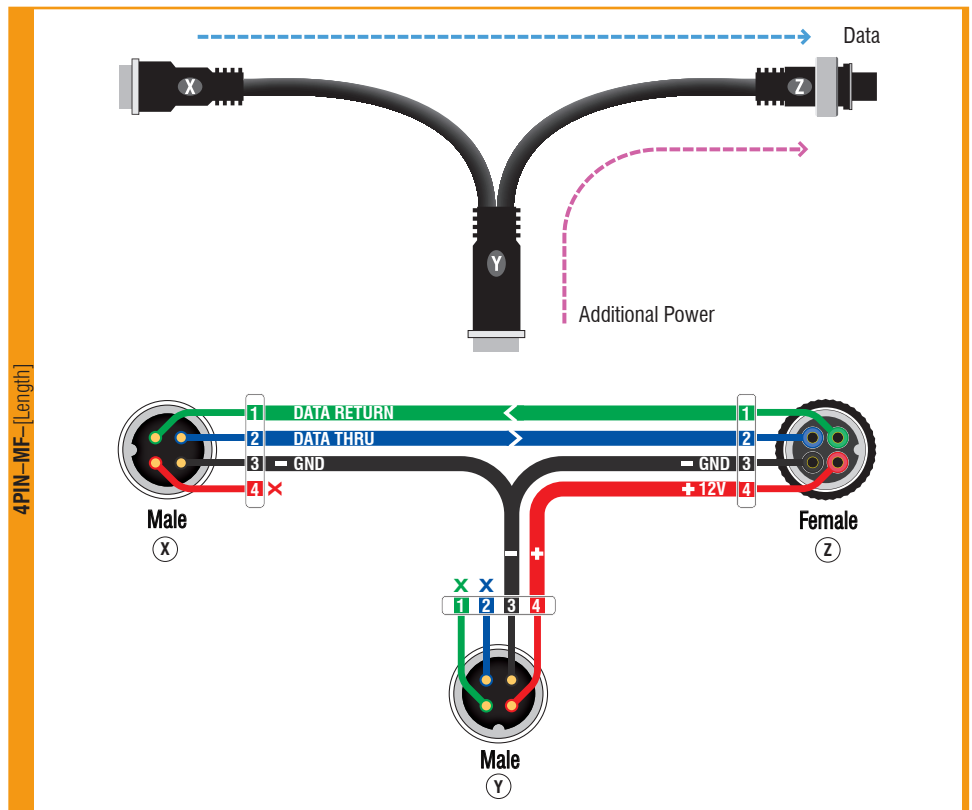
4PIN-MF-12"

\*Custom lengths available.

**X:** Data input from previous string

**Y:** Additional power input

**Z:** Power and data output to next string(s)



### \*Custom / Build-to-Order

All cables and accessories may be custom designed for your project.



## TUBO Rigid RGB Pixel Tube

### V-Cables

Allows strings to be used in parallel on the same power and data stream.

Stock:

4PIN-VC-9"

4PIN-VC-18"

4PIN-VC-60"

\*Custom lengths available.

**A:** Output to first string sequence (SEE NOTE)

**B:** Output to second string sequence

**C:** Power and data input

#### NOTE

The last string of the **A** output of the V-Cable must have an end cap (**4PIN-EC** or **4PIN-EL**) installed for data to return to the **B** output. If the strings attached to **A** are disconnected, data will not return and be sent to **B**.

### T-Connector Single

Allows for power and data to be sent to each a single module. These can be linked together to created custom distribution of power and data.

Stock:

4PIN-TC1-6" x 6" - 6"/6" - BB

\*Custom lengths available.

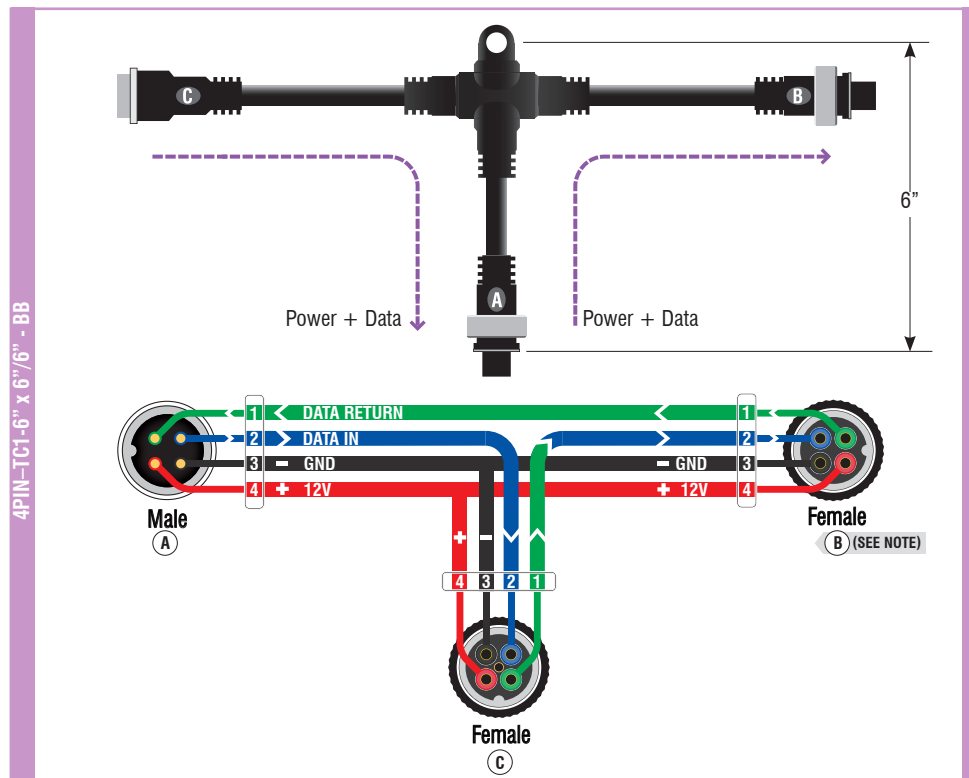
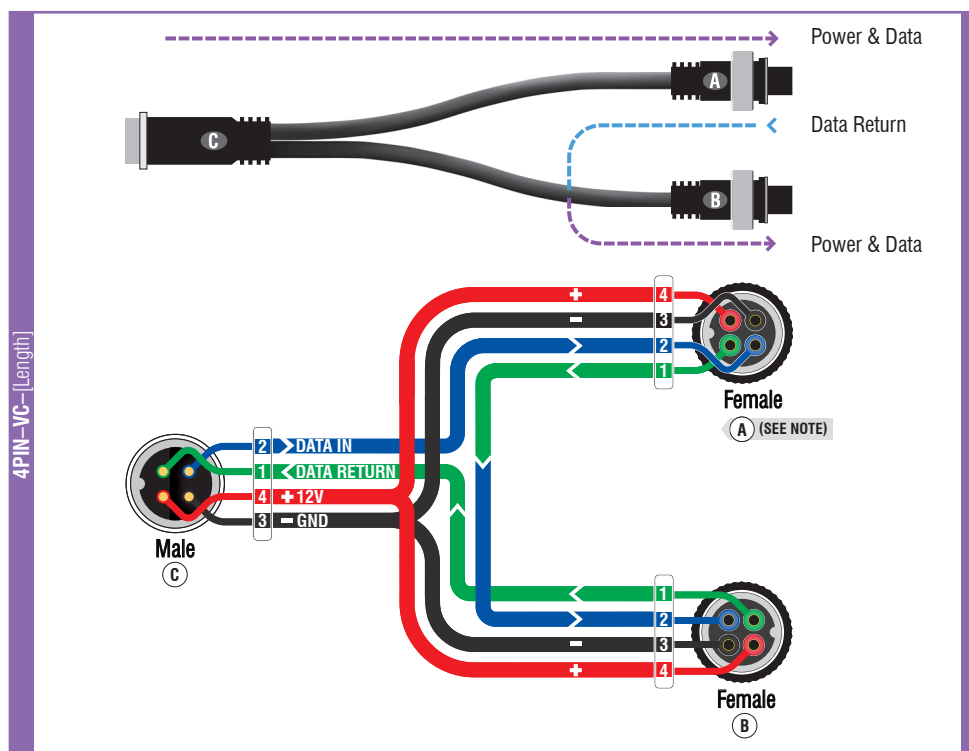
(see next page)

#### NOTE

The last string of the **A** output of the T-Cable must have an end cap (**4PIN-EC** or **4PIN-EL**) installed for data to return to the **B** output. If the strings attached to **A** are disconnected, data will not return and be sent to **B**.

### \*Custom / Build-to-Order

All cables and accessories may be custom designed for your project.



## TUBO Rigid RGB Pixel Tube

### T-Connector Cable

Allows for power and data to be sent to each module and can be customized to your project.

Stock Configurations:

4PIN-TC3-24" x 6"- 12"/12"- BB

4PIN-TC5-6" x 6"- 12"/12"- BB

4PIN-TC5-12" x 6"- 6"/6"- BB

4PIN-TC6-10" x 6"- 5"/5"- BB

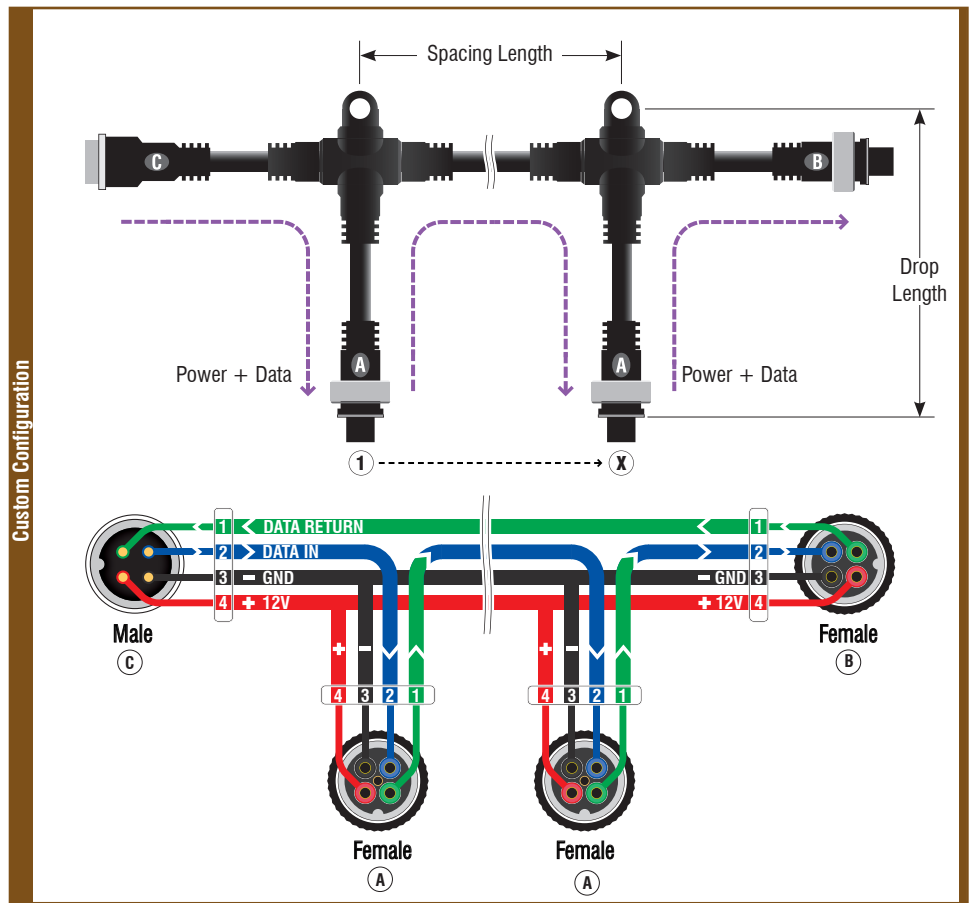
\*Custom lengths available.

#### NOTE

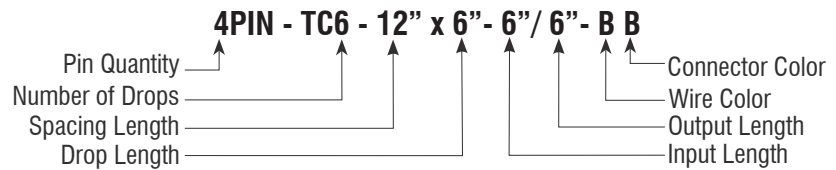
T-Connector cable stock changes frequently. Call to confirm availability.

#### NOTE

The last string of the A outputs of the T-Cable must have an end caps (4PIN-EC or 4PIN-EL) installed for data to return to the next A output, then to B output. If the strings attached to A are disconnected, data will not return and be sent to B.



### T-Cable Example Code:



### Important

Our systems use 3-, 4-, and 6-PIN connectors for different control data and power voltages. **Please do not interconnect.**



#### \*Custom / Build-to-Order

All cables and accessories may be custom designed for your project.

