
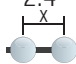







Festo60 Customizable RGB Festoon Strings

Key Features

-  360° Viewing Angle
-  2.4" Globe (60mm) Diameter
-  User Customizable Spacing
-  Easy Hook Mounting Option
-  Full-Color RGB Pixels
-  IP68 Dust and Waterproof
-  24 Month Warranty
-  ETL Listed RoHS Compliant Intertek

Many Applications

- Architectural Accents
- Concerts and Events
- Decorative Elements
- Retail Interiors
- Light Shows
- Trade Shows
- Themed Environments
- Restaurants
- Holiday Lighting
- Patio Lighting
- Weddings
- Festivals
- Carnivals

Further Reading

Visit us online for the most up-to-date product information:

www.VividRGBLighting.com



Presenting Festo60

Festo60 is the little brother of our **Festo100** version; this family of products from Vivid RGB Lighting merges stunning color changing LED technology with a traditional festoon light strings' appeal. Each **Festo60** is 60mm and fitted with six powerful RGB LEDs and is sure to impress. Festo60 strings are fully customizable; you choose the spacing, punch a hole, snap on a **Festo60** and "Presto" let the festivities begin!

Build your own strings!

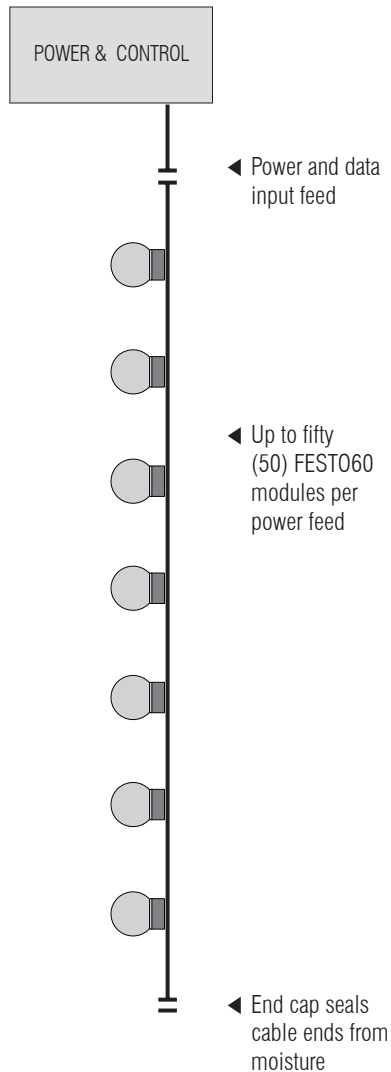
Build these strings in your own shop to your desired specifications or let Vivid RGB Lighting build them for you!

Festo60 is designed for indoor or outdoor use. Its smooth translucent globes meet a wide range of applications and provides the perfect ambient glow or dynamic effects.



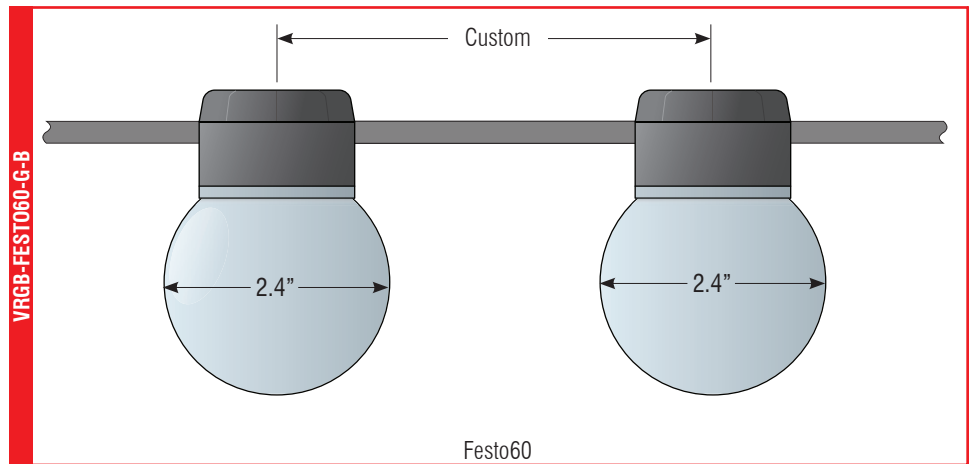
Festo60 Customizable RGB Festoon Strings

System Overview



Standard Configuration: You create the standard!

Standard Festo60 modules consist of a glossy finished 2.4" globe with 6 RGB LEDs



Technical Specifications*

OUTPUT	LUMEN MAINTENANCE	25,000+ hours
	LED CHANNELS	Red, Green, Blue
	GRAYSACLE	256, 8-bit
ELECTRICAL	INPUT VOLTAGE	24V DC
	POWER	1.50 W / FESTO
CONTROL	INTERFACE	DMX
	CONTROL SYSTEM	DSD, VPD, Color Mimic or other
PHYSICAL	TEMPERATURE RANGES	-20°C – 50°C / -4°F – 122°F
	HUMIDITY	Any
SAFETY	ENVIRONMENT	Dry, damp, wet locations; IP66
	ETL LISTED	

*Due to continuous improvements and design innovations, specifications subject to change without notice.

Ordering Guide

- Vivid Wire Black or White
- Vivid Punch Tool
- Modules:
 - 2.4" Black Housing
 - 2.4" White Housing
- Matte Finish (not stocked)
- Glossy Finish

Part#

FESTO-60-G-B
FESTO-60-G-W
FESTO-60-M-B
FESTO-60-M-W



Product Configurations

2.4" Glossy Globe, Black Body
2.4" Glossy Globe, White Body
2.4" Matte Globe, Black Body
2.4" Matte Globe, White Body



Typical Wiring Instructions

Input cables connect to controller & power supply and provide a common ground between them.

Silicone end caps provide a waterproof termination at the end of each string.

Festo String Power

- Use total watts to determine necessary power supply capacity.
- Maximum power draw is 1.5 W per pixel at 24 V DC.

FESTO	AMPS @ 24V	TOTAL WATTS	
1	.065 A	1.50 W	← SINGLE Festo60
12	.750 A	18 W	
24	1.50 A	36 W	
48	3.00 A	72 W	
96	6.00 A	144 W	
168	10.50 A	250 W	← ONE UNIVERSE
336	21.00 A	500 W	← TWO UNIVERSES
504	31.50 A	750 W	← THREE UNIVERSES
672	42.00 A	1000 W	← FOUR UNIVERSES

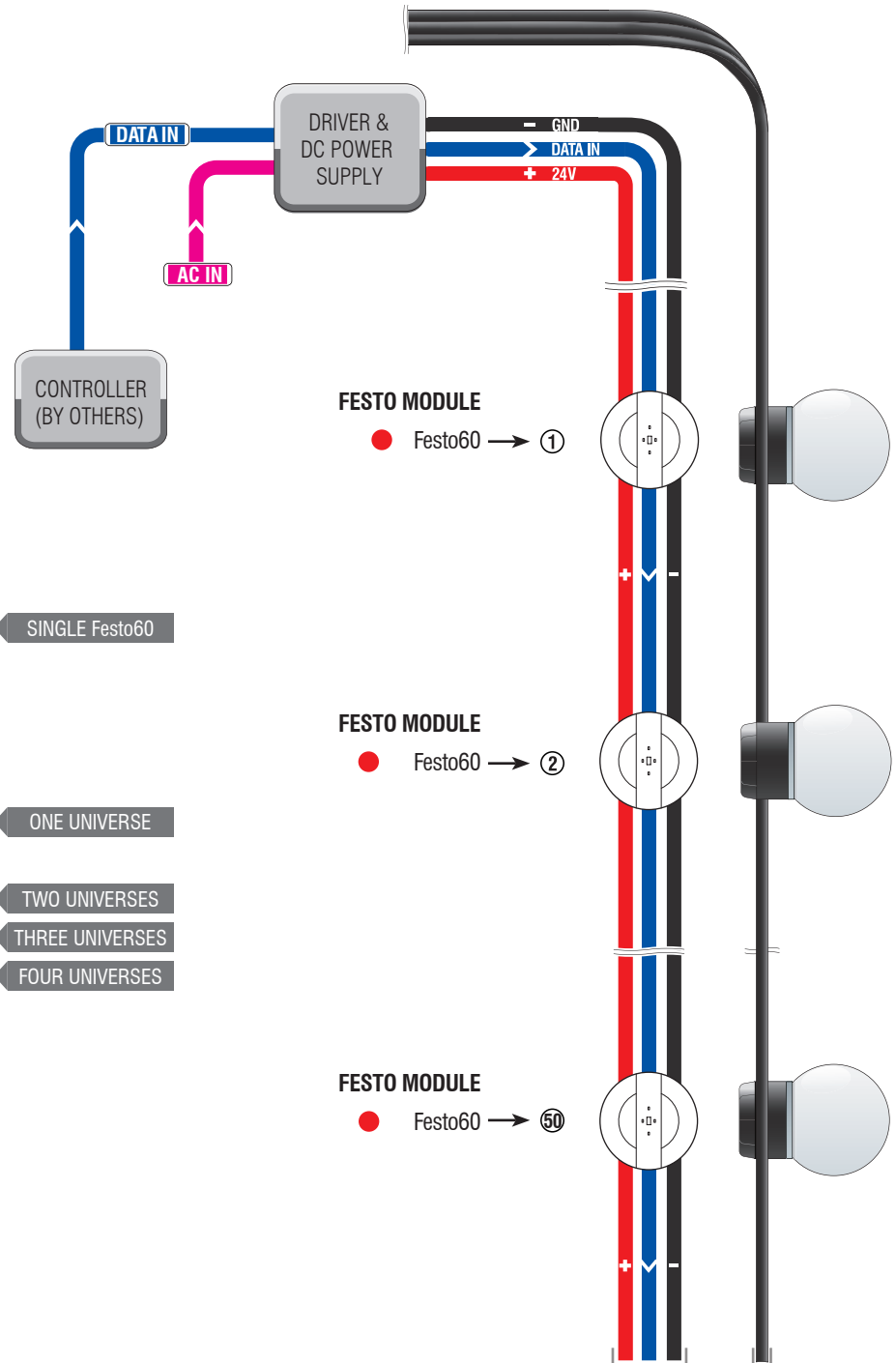
NOTES

Figures in this chart allow for 5% headroom.
Typical per-pixel wattage is **1.40 W**.

IMPORTANT

Keep the power supply as close as possible to the strings to minimize voltage drop. Excessive voltage drop will cause color shift and/or intermittent operation.

*Due to continuous improvements and design innovations, specifications subject to change without notice.



Installation Guide

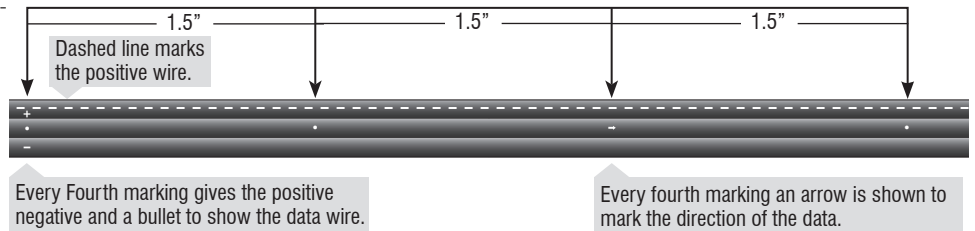
Step 1: Determine your layout

The cable for the **Festo60** is designed for easy customization of module spacing. The cable is labeled with a marking every 1.5 inches to simplify the hole punching process.

NOTE

Due to the stamping process, the marks may not be exactly 1.5" - if your project requires exact spacing, please confirm with the actual cable being used.

Assembly Illustrations

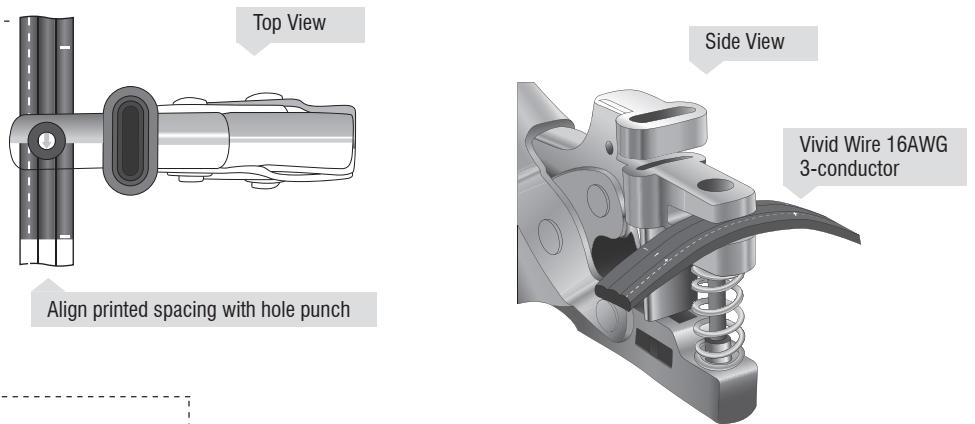


Step 2: Punch Hole

Using the hole in the specialized hole punch tool, visually line up the desired location of the module, squeeze the handles of the punch together, and the punch will perforate the cable.

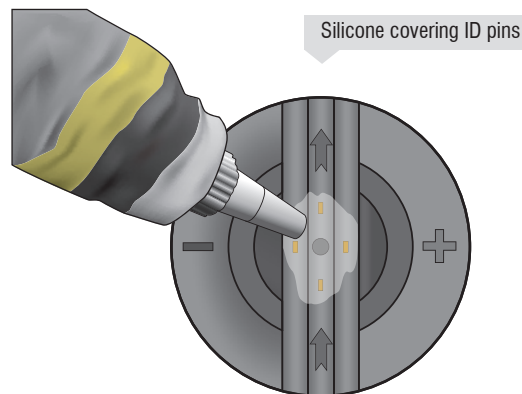
NOTE

Ensure cable is fully seated and aligned before punching hole, it is not possible to repair a mis-punched hole!



Step 3: Add Silicone

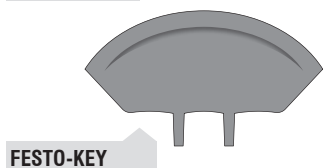
Place a small bead of silicone (the size of a dime) to cover the exposed insulation displacement pins on the bottom of the **Festo60** housing to provide a water resistant seal.



NOTE

The silicone is not required for all projects, but it helps prevent water from corroding the cable and electrical connection pins and is recommended for outdoor projects.

Tools Required

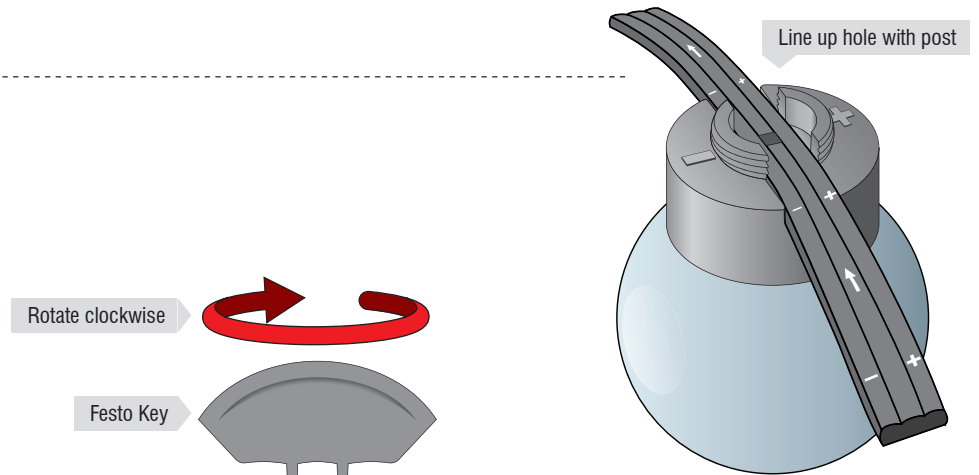


Installation Guide cont.

Scaled Illustrations

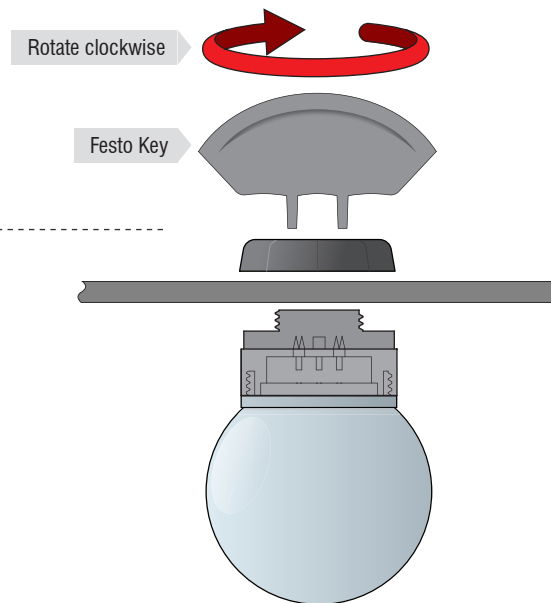
Step 4: Align Festo

After perforating the cable, confirm proper orientation of the +/- symbols with the wire. Line up the post on the inside of the Festo housing with the hole and lightly push cable into place.



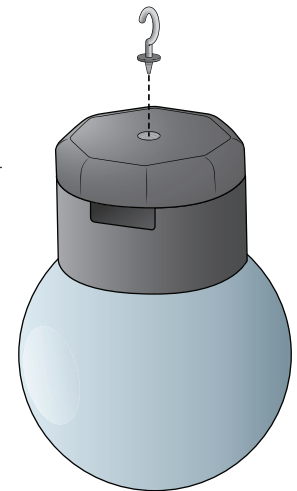
Step 5: Attach Festo

Attach the cap and hand-tighten. A special tool for further tightening is available but not necessary.



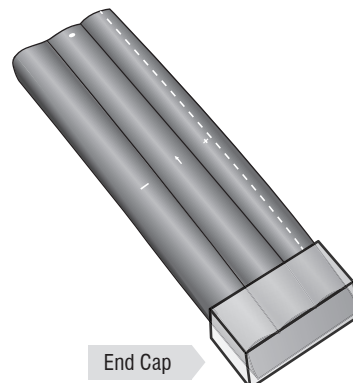
Step 6: Attach Hook

An optional hook is available for hanging individual Festo modules and is attached by hand screwing it into the bottom of the housing lid.



Step 7: End Cap

A silicone end cap is also available to place on the end of the cable. Simply fill the cap with silicone and attach it at the end of the cable to seal from water.



NOTE

Installing a Festo in reverse will not damage the module. However, the module and all modules after, will not work.

